



SURFACE MOUNT BANDPASS FILTER

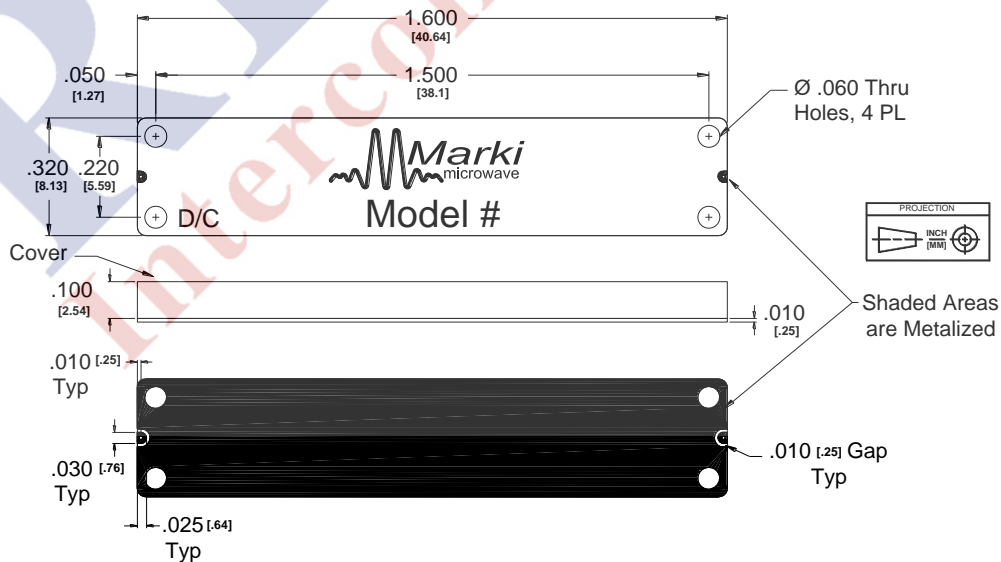
FB-1140SM

Features

- Chebyshev Response
- Typical 3 dB Bandwidth, $\pm 8.5\%$
- 50 dB Stop Band Suppression
- 5 Section Filter
- [FB-1140.S2P](#)
- [Reflow Solderable](#)

Electrical Specifications – Specifications guaranteed from -55 to +100°C, measured in a 50Ω system.

Parameter	Frequency (GHz)	Min	Typ.	Max
Center Frequency, f_c	11.4			
Pass Band	10.45-12.35			
Insertion Loss (dB)	11.4		2	3
Return Loss (dB)	10.45-12.35		15	
Stop Band Suppression (dB) , Lower	6.9		50	
	8.1		35	
Stop Band Suppression (dB) , Upper	15.5		50	
	14.4		35	
Impedance (Ω)			50	
RF Power (W)				1



Substrate material is 10-mil thick Rogers 5880 or Taconic TLY-5, ½ Oz Electrodeposited Cu.

I/O Pads & Ground Plane Finish is 100-300 μ-inches 60/40 Pb/Sn Solder Plate over Cu.

See <http://www.markimicrowave.com/menus/appnotes/an-flsm1600-pcb.pdf> for suggested PCB layout.

215 Vineyard Court, Morgan Hill, CA 95037 | Ph: 408.778.4200 | Fax 408.778.4300 | info@markimicrowave.com

02/09/16



SURFACE MOUNT BANDPASS FILTER

FB-1140SM

Page 2

Typical Performance

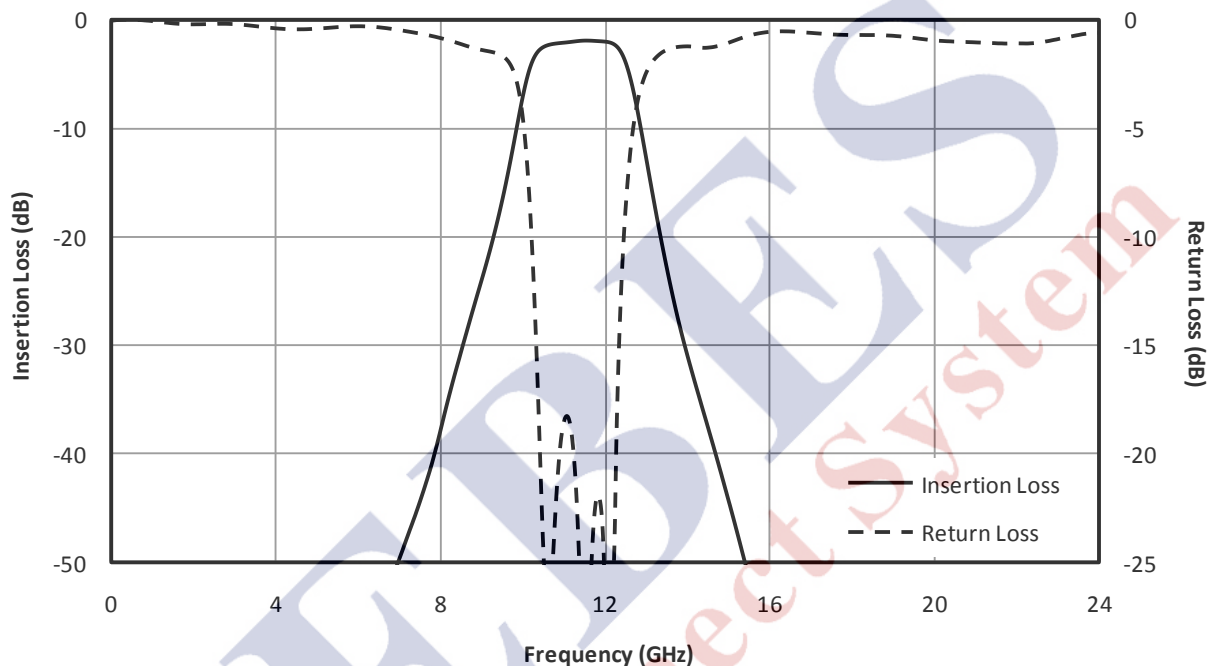


Fig. 1. Magnitude response for a typical FB-1140SM, measured in a connectorized fixture.

Model Number	Description
FB-1140SM	11.4 GHz Bandpass Filter, Surface Mount

Connectorized test fixtures available. Consult factory.

NOTE:

Specifications are subject to change without notice. Contact Marki Microwave for the most recent specifications and data sheets.

Marki Microwave reserves the right to make changes to the product(s) or information contained herein without notice. Marki Microwave makes no warranty, representation or guarantee regarding the suitability of its products for any particular purpose, nor does Marki Microwave assume any liability whatsoever arising out of the use of or application of any product.

© Marki Microwave, Inc.

