

ERZIA

Microwave and Millimeter Wave Amplifiers



FROM DC TO 100 GHz
We customize

W Band Power Amplifiers

Part Number	F.Min, GHz	F.Max, GHz	Pout, dBm	Gain, dB	Housing
ERZ-HPA-7100-8300-25	71	83	25	17	Contact us
ERZ-HPA-7500-8300-27	75	83	27	17	Contact us
ERZ-MPA-7500-8300-13	75	83	13	18	Contact us
ERZ-HPA-5000-6600-19	50	66	16	20	Contact us

Q Band Power Amplifiers

Part Number	F.Min, GHz	F.Max, GHz	Pout, dBm	Gain, dB	Housing
ERZ-HPA-3300-4700-29	33	47	29	30	M2
ERZ-HPA-3300-4700-24-E	33	47	26	25	M2
ERZ-HPA-3300-4700-24	33	47	24	17	M1
ERZ-HPA-4100-4600-32	41	46	32	31	M2
ERZ-HPA-4100-4600-30	41	46	30	28	Contact us
ERZ-HPA-4300-4600-30	43	46	30	27	Contact us
ERZ-HPA-4100-4500-18-E	41	45	18	28	M2
ERZ-HPA-4100-4500-18	41	45	18	14	M1
ERZ-HPA-4000-4500-28-E	40	45	28	23	M2
ERZ-HPA-4000-4500-28	40	45	28	10	M1
ERZ-HPA-3300-4500-23-E	33	45	23	30	M2
ERZ-HPA-3300-4500-23	33	45	23	15	M1

Ka Band Power Amplifiers

Part Number	F.Min, GHz	F.Max, GHz	Pout, dBm	Gain, dB	Housing
ERZ-HPA-2000-4500-24	20	45	24	20	M3
ERZ-HPA-1700-4300-22-E	17	43	22	45	M1
ERZ-HPA-1700-4300-22	17	43	22	25	M3
ERZ-HPA-2700-4200-27	27	42	27	30	M2
ERZ-HPA-3000-4200-26	30	42	26	41	M2
ERZ-HPA-3000-4200-14	30	42	14	21	M3
ERZ-HPA-2600-4300-33	26	43	33	28	M2
ERZ-HPA-2600-4000-33	26	40	33	35	M2
ERZ-HPA-3000-4000-32	30	40	32	18	M2
ERZ-HPA-3000-4000-32-E	30	40	32	39	M2
ERZ-HPA-2400-4000-22	24	40	22	30	Contact us
ERZ-HPA-2000-4000-24	20	40	24	20	M3
ERZ-HPA-1900-3800-21	19	38	21	20	M3
ERZ-HPA-3200-3800-25	32	38	25	32	Contact us
ERZ-HPA-3100-3700-33	31	37	33	18	M2
ERZ-HPA-2300-3700-25	23	37	24	20	M1
ERZ-HPA-2300-3700-27	23	37	27	21	M1
ERZ-HPA-2400-3600-27	24	36	27	35	M2
ERZ-HPA-3400-3600-33	34	36	33	39	M2
ERZ-HPA-3100-3500-33	31	35	33	19	M2
ERZ-HPA-2800-3300-33	28	33	33	16	M2
ERZ-HPA-2800-3200-32	28	32	32	20	M2
ERZ-HPA-2000-3300-20	20	33	20	22	M3
ERZ-HPA-2900-3100-37	29	31	37	21	Contact us
ERZ-HPA-2900-3100-37-E	29	31	37	38	Contact us
ERZ-HPA-2800-3000-29	28	30	29	18	M2
ERZ-HPA-2600-2800-22	26	28	22	19	M1
ERZ-HPA-2600-2800-36	26	28	36	22	M2
ERZ-HPA-2300-2800-32	23	28	32	22	M2
ERZ-HPA-2300-2800-21	23	28	21	17	M1

K Band Power Amplifiers

Part Number	F.Min, GHz	F.Max, GHz	Pout, dBm	Gain, dB	Housing
ERZ-HPA-1600-3300-24	16	33	24	17	M3
ERZ-HPA-1600-3300-24-E	16	33	24	34	M1
ERZ-HPA-1500-2700-29	15	27	29	17	M1
ERZ-HPA-1500-2700-29-E	15	27	29	34	M2
ERZ-HPA-1700-2600-25	17	26	25	22	M3
ERZ-HPA-1700-2400-34	17	24	34	22	M1
ERZ-HPA-1700-2400-29	16	24	29	21	M3
ERZ-HPA-1700-2400-29-E	16	24	29	37	M1

Ku Band Power Amplifiers

Part Number	F.Min, GHz	F.Max, GHz	Pout, dBm	Gain, dB	Housing
ERZ-HPA-1860-1960-25	18,6	19,6	25	26	M3
ERZ-HPA-1200-1900-29	12	19	29	27	M2
ERZ-HPA-1200-1800-27	12	18	27	14	M2
ERZ-HPA-1300-1600-37	13	16	37	24	Contact us
ERZ-HPA-1200-1600-26	12	16	26	23	M1
ERZ-HPA-1250-1550-34	12,5	15,5	34	27	M2

X Band Power Amplifiers

Part Number	F.Min, GHz	F.Max, GHz	Pout, dBm	Gain, dB	Housing
ERZ-HPA-0900-1400-34	9	14	34	35	M2
ERZ-HPA-0950-1050-48	9,5	10,5	48	50	Contact us
ERZ-HPA-0600-1000-31	6	10	31	23	M1
ERZ-HPA-0850-0980-53	8,5	9,8	53	38	Contact us
ERZ-HPA-0790-0840-37-E	7,9	8,4	37	36	Contact us

C Band Power Amplifiers

Part Number	F.Min, GHz	F.Max, GHz	Pout, dBm	Gain, dB	Housing
ERZ-HPA-0640-0720-42	6,4	7,2	42	46	Contact us
ERZ-HPA-0500-0600-25	5	6	28	24	M1
ERZ-HPA-0570-0590-42	5,7	5,9	42	40	Contact us
ERZ-HPA-0520-0540-44	5,2	5,4	46	52	Contact us
ERZ-HPA-0490-0525-43	4,9	5,25	43	45	Contact us
ERZ-HPA-0440-0500-40	4,4	5	40	37	Contact us

S Band Power Amplifiers

Part Number	F.Min, GHz	F.Max, GHz	Pout, dBm	Gain, dB	Housing
ERZ-HPA-0200-0400-24	2	4	24	23	M3
ERZ-HPA-0280-0330-40	2.8	3.3	40	38	Contact us

Wideband Power Amplifiers

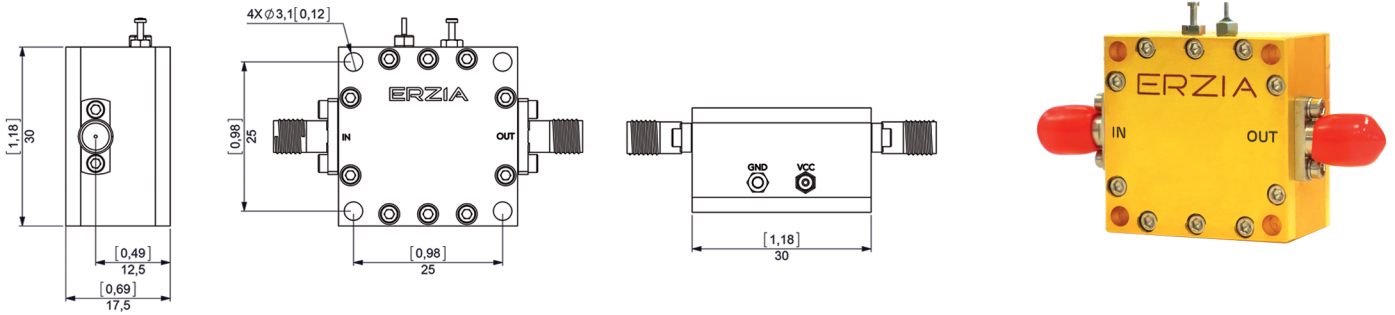
Part Number	F.Min, GHz	F.Max, GHz	Pout, dBm	Gain, dB	Housing
ERZ-HPA-0050-4000-12	0,5	40	16	28	Contact us
ERZ-HPA-0050-4000-8	0,5	40	16	15	Contact us
ERZ-HPA-0010-2300-27	0,1	23	27	28	M1
ERZ-HPA-0500-2300-20	5	23	20	19	M3
ERZ-HPA-0600-1800-40	6	18	40	45	Contact us
ERZ-HPA-0600-1800-32	6	18	32	23	M2
ERZ-HPA-0100-1800-21	1	18	21	14	M3
ERZ-HPA-0200-0800-36	2	8	36	43	Contact us

Low Noise Amplifiers

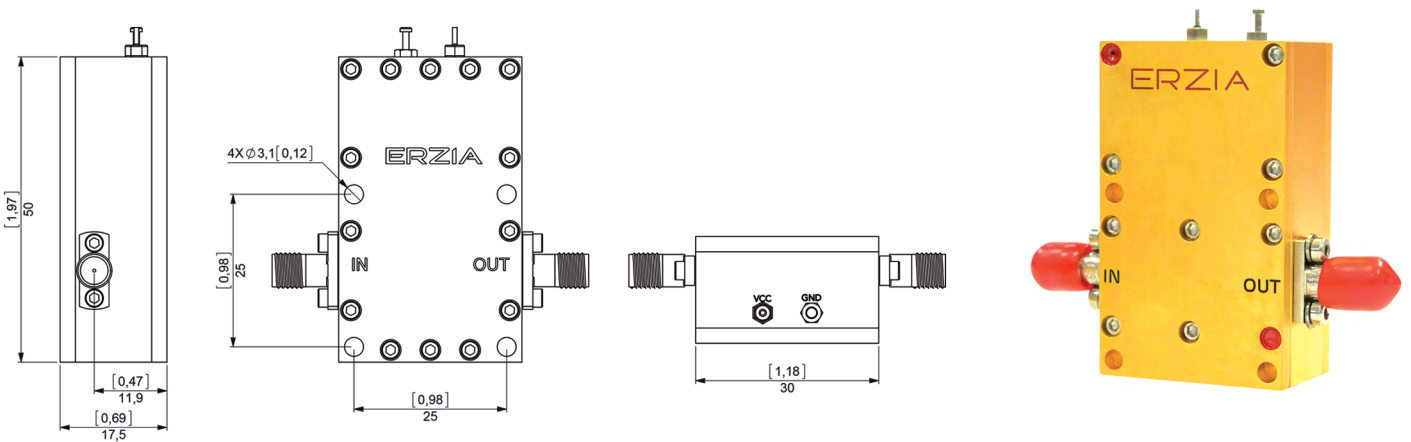
Part Number	F.Min, GHz	F.Max, GHz	Gain,dB	NF,dB	Pout, dBm	Housing
ERZ-LNA-7500-10000-20-4	75	100	20	4	1	Contact us
ERZ-LNA-9300-9500-20-4	93	95	20	4	1	Contact us
ERZ-LNA-4720-5140-15-3.5	47.2	51.4	15	3.5	1.5	Contact us
ERZ-LNA-4720-5140-10-3.5	47.2	51.4	11	3.5	12	Contact us
ERZ-LNA-0200-5000-22-6	2	50	22	5	10	M3
ERZ-LNA-4250-4550-30-4.5	42.5	45.5	30	4.5	19	Contact us
ERZ-LNA-0200-4500-15-4	2	45	15	4	10	M3
ERZ-LNA-0010-4500-24-4	0,1	45	24	4	10	Contact us
ERZ-LNA-2500-4300-33-2	25	43	33	2	0	Contact us
ERZ-LNA-0100-4000-45-5	1	40	45	5	18	M2
ERZ-LNA-0100-4000-30-5	1	40	30	5	16	M2
ERZ-LNA-1800-4000-15-4	18	40	15	4	18	M3
ERZ-LNA-1800-4000-23-12	18	40	24	5	14	Contact us
ERZ-LNA-3000-4000-20-2.5	30	40	20	2.5	10	Contact us
ERZ-LNA-2600-4000-50-2.5	26	40	50	2.5	14	M1
ERZ-LNA-2600-4000-30-2.5	26	40	30	2.5	11	M1
ERZ-LNA-3600-4000-29-3.5	36	40	29	3.5	10	M3
ERZ-LNA-0100-3800-12-4	1	38	12	4	10	M3
ERZ-LNA-0200-3300-30-4	2	33	30	4	16	M2
ERZ-LNA-1800-3200-21-3	18	32	21	3	11	M3
ERZ-LNA-1250-3000-25-2.5	12.5	30	25	2.5	14	M3
ERZ-LNA-2000-3000-17-2.5	20	30	17	2.5	7	M3
ERZ-LNA-0100-2700-45-4	1	27	45	4	17	M2
ERZ-LNA-1000-2700-30-4	10	27.5	30	4	22	M2
ERZ-LNA-2550-2700-45-1.8	25.5	27	45	2	12	Contact us
ERZ-LNA-1700-2400-25-2.5	17	24	25	2.5	14	M3
ERZ-LNA-0865-2265-30-3	8.65	22.65	30	3	14	M2
ERZ-LNA-1770-2200-70-2	17.7	22	70	2	10	Custom
ERZ-LNA-0010-2000-30-3	0.1	20	30	3	20	M1
ERZ-LNA-0200-2000-28-2	2	20	28	2	25	Contact us
ERZ-LNA-0200-1800-18-4	2	18	20	3	22	Custom
ERZ-LNA-0200-1800-18-5.5	2	18	15	3	19	Custom
ERZ-LNA-0200-1800-30-2	2	18	30	2	18	M2
ERZ-LNA-0200-1800-23-2.5	2	18	23	2.5	15	M3
ERZ-LNA-0050-1800-23-8	0.5	18	24	5	17	Contact us
ERZ-LNA-0050-1800-15-3	0.5	18	15	3.5	15	Contact us
ERZ-LNA-1250-1780-30-3	12.5	17.8	30	3	11	Contact us
ERZ-LNA-0600-1700-20-2	6	17	20	2	17	M3
ERZ-LNA-1250-1700-33-3	12.5	17	33	3	14	M3
ERZ-LNA-1000-1600-15-2.5	10	16	15	2.5	10	M3
ERZ-LNA-0700-1400-16-2	7	14	16	2	10	M3
ERZ-LNA-0800-1220-26-2	7	12	26	2	21	M1
ERZ-LNA-0840-1020-25-1.5	8.4	10.2	25	1.5	11	Contact us
ERZ-LNA-0300-0930-30-2	3	9.3	30	2	19	M2
ERZ-LNA-0340-0470-23-2	3.4	4.7	23	2	12	M1
ERZ-LNA-0340-0470-13-2	3.4	4.7	13	2	19	M3
ERZ-LNA-0270-0310-30-0.5	2.7	3.1	30	0.5	15	Contact us
ERZ-LNA-0100-0310-30-2	1	3.1	30	1.6	19	M2
ERZ-LNA-0070-0300-20-0.7	0.7	3	22	0.7	20	M3
ERZ-LNA-0100-0200-20-1.5	1	2	20	1.5	20	M3
ERZ-LNA-0125-0175-27-2	1.25	1.75	27	2	15	M3
ERZ-LNA-0007-0110-28-2	0.07	1.1	28	2	17	M2

MECHANICAL HOUSINGS

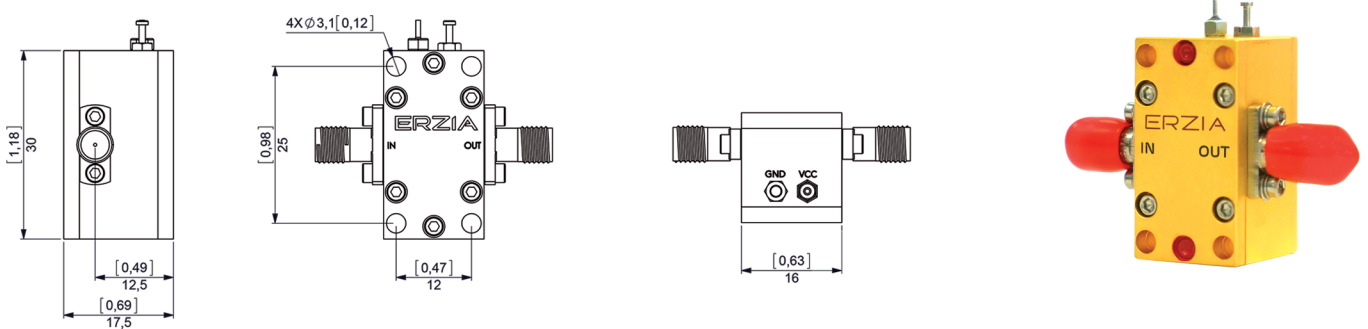
M1



M2



M3



Specified dimensions are in millimeters [inches].

Coaxial and waveguide RF connectors.

Solder filtered pins for DC connections.

Gold plated compact aluminum housings.

Customized housings also available.

ERZIA



Sales Enquiries: sales@erzia.com



ERZIA Technologies
Josefina de la Maza 4
39012 Santander, Spain
Telephone: +34 942 29 13 42



ERZIA Technologies of America
2611 Jefferson Davis Highway, Suite 600
Arlington, VA 22202
Telephone: +1 202-899-9717

www.erzia.com